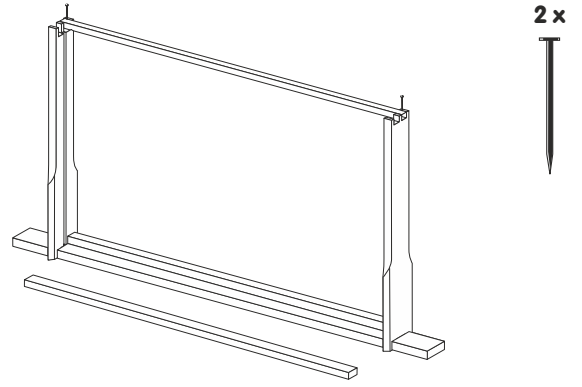
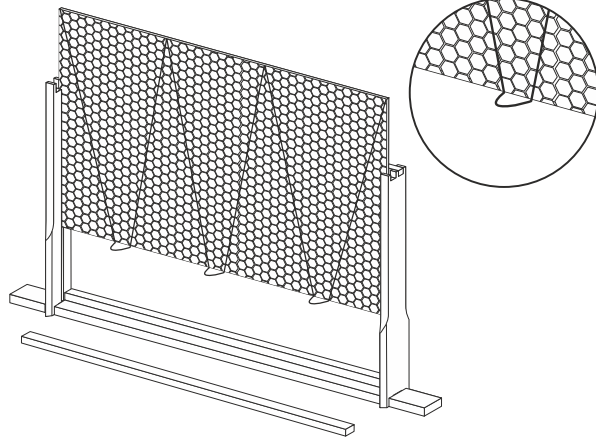


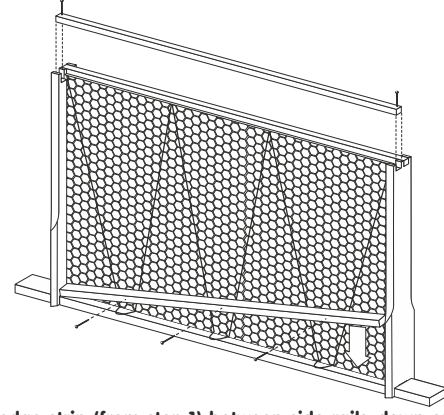
**1** Break out wedge strip from Top bar & retain. Slot side bars onto top bar as shown, with groove to inside. Nail in place as indicated with 2 x 19mm black



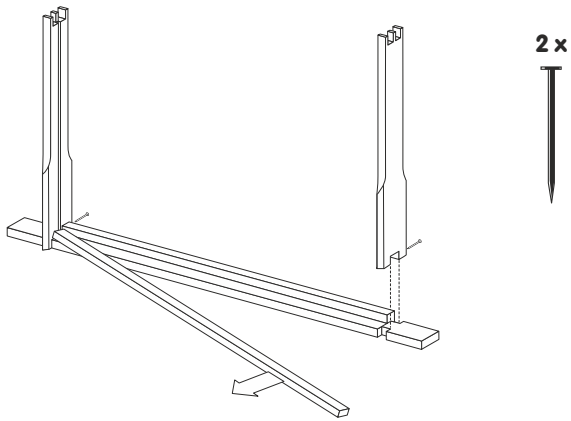
**2** Place first bottom rail in position as shown and nail in place as indicated with 2 x 19mm black Gimp pins.



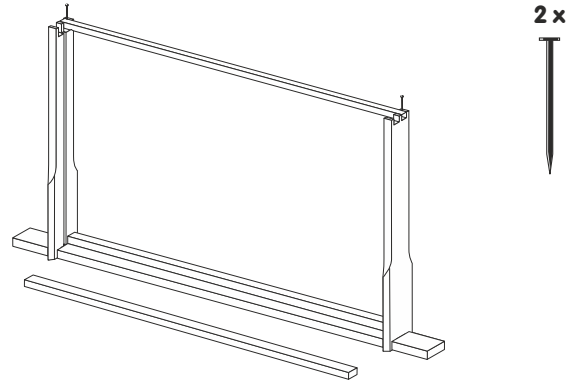
**3** Bend over wire loops at right angles  
Carefully slide wax insert into side grooves until wire loops rest on Top



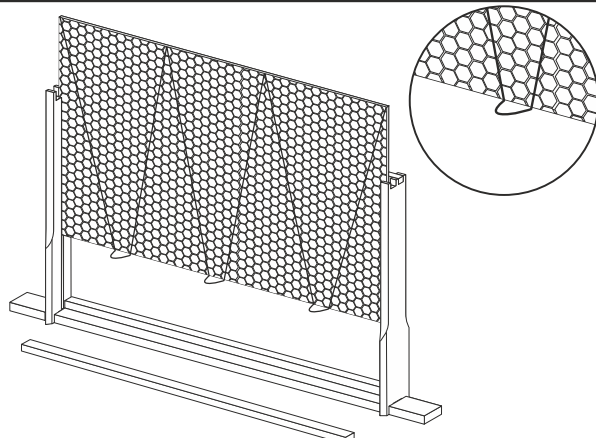
**4** Press wedge strip (from step 1) between side rails, down onto wire loops as shown and nail into rear of top rail with 3 x 19mm black Gimp pins as shown. Fit second bottom rail and nail in place as indicated with 2 x 19mm



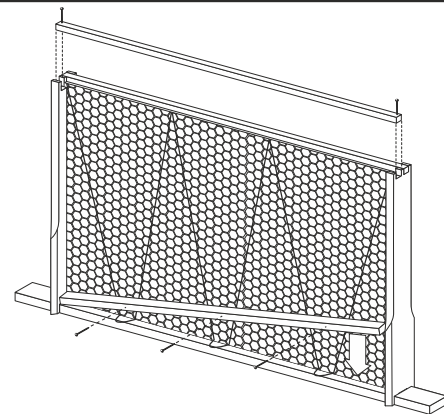
**1** Break out wedge strip from Top bar & retain. Slot side bars onto top bar as shown, with groove to inside. Nail in place as indicated with 2 x 19mm black



**2** Place first bottom rail in position as shown and nail in place as indicated with 2 x 19mm black Gimp pins.



**3** Bend over wire loops at right angles  
Carefully slide wax insert into side grooves until wire loops rest on Top



**4** Press wedge strip (from step 1) between side rails, down onto wire loops as shown and nail into rear of top rail with 3 x 19mm black Gimp pins as shown. Fit second bottom rail and nail in place as indicated with 2 x 19mm